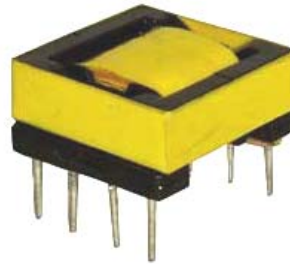


Features

1. Compact, light, easy surface mounting
2. Automated mounting and reflow soldering
3. High impedance and low loss
4. The products contain no lead and also support lead-free solder
5. All materials ROHS compliance and use are UL listed



Application

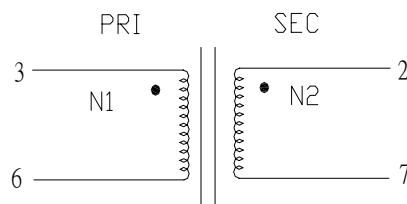
1. Switching power supply
2. Computer products
3. DVD
4. DC-DC converter



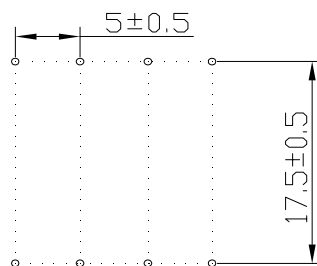
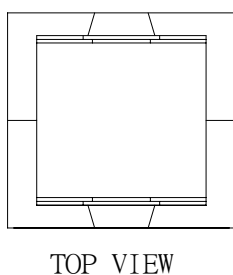
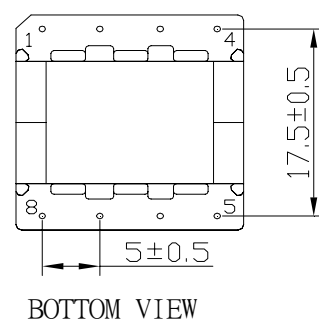
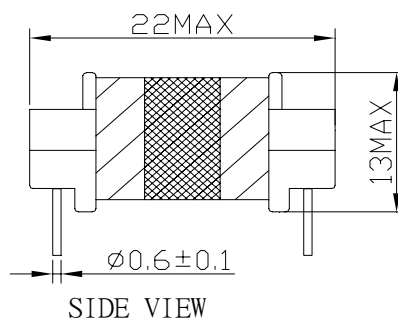
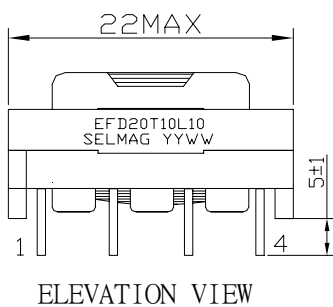
Electrical characteristics

Model No.	Winding ratio Primary secondary	Inductance	secondary leakage inductance	DC Resistance at:25°C	Insulation withstand voltage	Test frequency voltage (KHz/V)
EFD20T10L10	(3-6):(2-7)=1:1	(3-6)=10uH±10%	NA	(3-6)=44mΩ MAX (2-7)=48mΩ MAX	pri to sec AC 2KV/5mA 1SEC pri to core AC 1KV/5mA 1SEC sec to core AC 1KV/5mA 1SEC	1KHz/0.25V

Schematics(bottom)



Shapes and dimensions unit: mm



Recommended landing dimensions