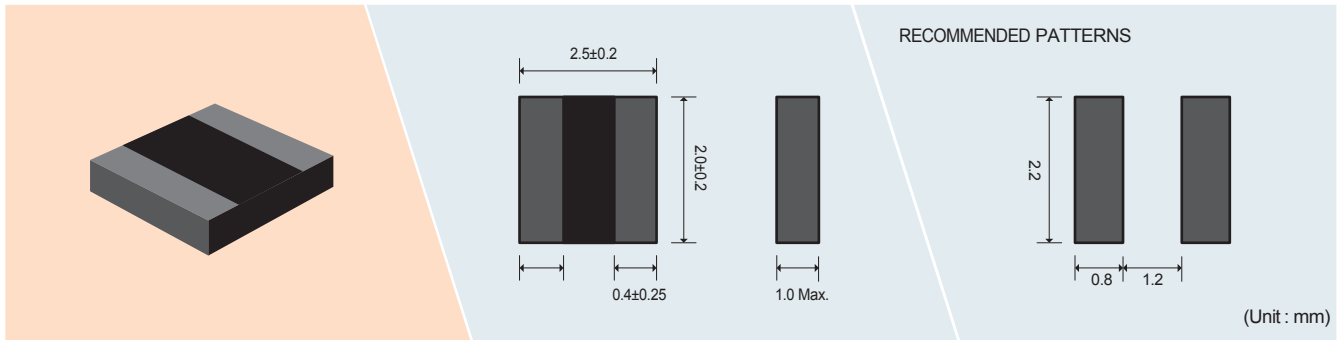


CSH252010

SMD POWER INDUCTORS FOR SURFACE MOUNTING



(Unit : mm)

FEATURES 特性

- Magnetic alloy power choke coil./金属磁粉芯功率电感
- Low acoustic noise and high efficiency./低噪声&高效率
- Miniature size(2.5×2.0) and low profile./微型 尺寸(2.5×2.0)及低的高度
- Halogen Free and RoHS compliant./产品符合 ROHS&无卤
- Magnetic shielded./ 闭合磁路,良好的磁场屏蔽.

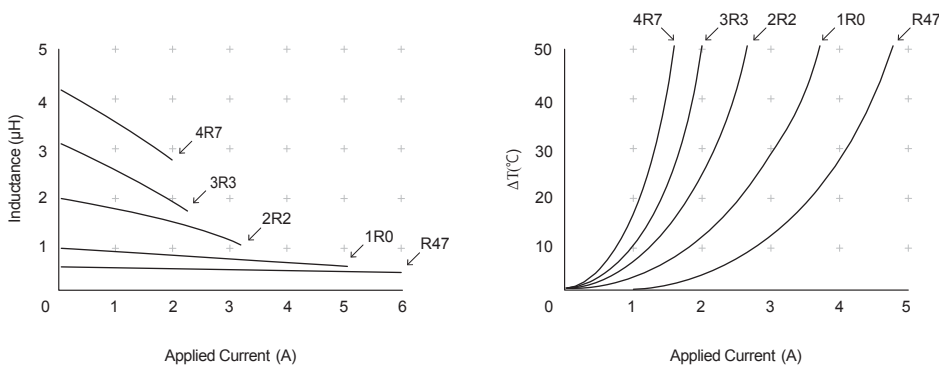
SPECIFICATION 规格

料号 Parts No.	电感量 (μH) Inductance (μH)	公差 (%) Tolerance (%)	直流电阻 DCR DC Resistance (mΩ) Max. (Typ.)	直流电流 (A) /Rated DC Current(A) Max. (Typ.)	
				ΔL/L=30%	ΔT=40°C
CSH252010-R47	0.47	±20	33.6 (28)	4.4	4.1
CSH 252010-1R0	1.0	±20	60 (50)	3.2	3.2
CSH 252010-1R5	1.5	±20	96 (80)	2.6	2.4
CSH 252010-2R2	2.2	±20	123.6 (103)	2.4	2.2
CSH 252010-3R3	3.3	±20	228 (190)	1.6	1.6
CSH 252010-4R7	4.7	±20	288 (240)	1.4	1.4

- Inductance is measured with a LCR meter 4294A(Agilent Technologies) or equivalent. (@1 MHz, 0.1Vrms)
- DC Resistance is measured with a Digital Multimeter 3541(Hioki) or equivalent.
- Maximum allowable DC current is that which caused a 30% inductance reduction from the initial value, coil temperature to rise by 40°C whichever is smaller. (Ambient temp. 20°C)

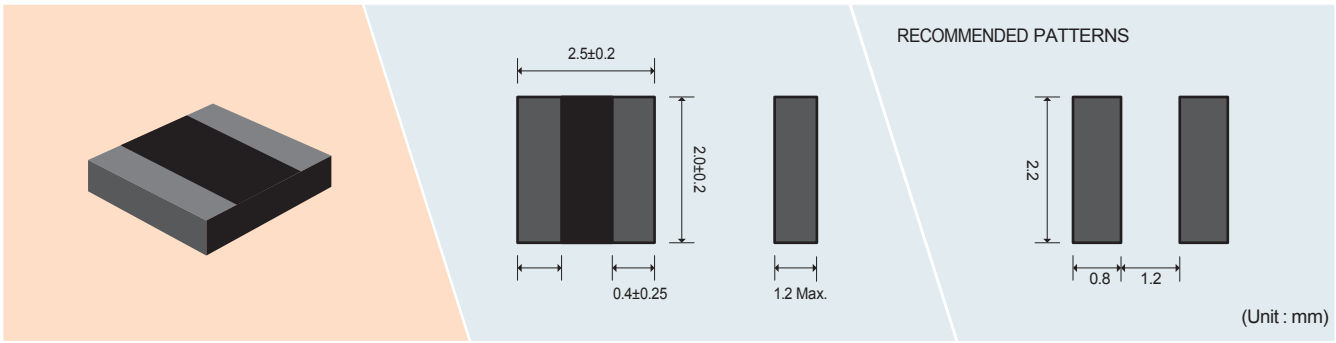
- 电感测量是使用 LCR 仪表 4294A (Agilent) 或同等仪器。(测试条件@100kHz 时, 0.1Vrms)
- 直流电阻测量用数字万用表 3541 (Hioki) 或同等仪器。
- 允许最大直流电流是指电感量降低 30%时的电流。
- 允许温升电流是线圈温度升高 40°C (以较小者为准) 的电流值。(环境温度 20°C)

EXAMPLES OF CHARACTERISTICS 特性示图



CSH252012

SMD POWER INDUCTORS FOR SURFACE MOUNTING



(Unit : mm)

FEATURES 特性

- Magnetic alloy power choke coil./金属磁粉芯功率电感
- Low acoustic noise and high efficiency./低噪声&高效率
- Miniature size(2.5×2.0) and low profile./微型尺寸(2.5×2.0)及低的高度
- Halogen Free and RoHS compliant./产品符合 ROHS&无卤
- Magnetic shielded./闭合磁路,良好的磁场屏蔽。

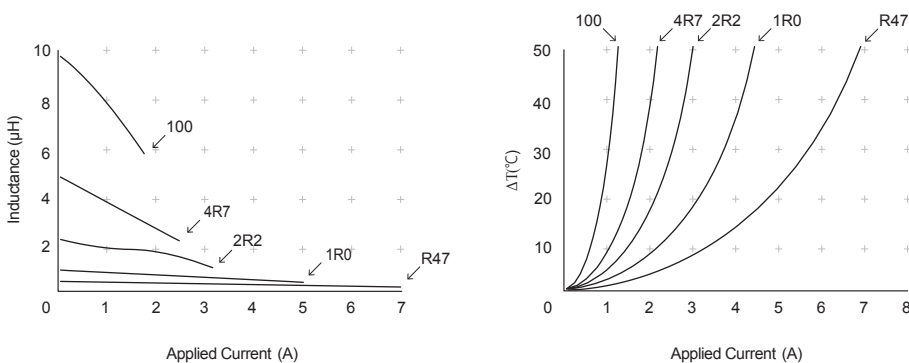
SPECIFICATION 规格

料号 Parts No.	电感量 (uH) Inductance (uH)	公差 (%) Tolerance (%)	直流电阻 DCR DC Resistance (mΩ) Max. (Typ.)	直流电流 (A) /Rated DC Current(A) Max. (Typ.)	
				ΔL/L=30%	ΔT=40°C
CSH 252012-R47	0.47	±20	24 (20)	4.8	4.5
CSH 252012-1R0	1.0	±20	42 (35)	4.0	3.7
CSH 252012-1R5	1.5	±20	66 (55)	3.4	2.9
CSH 252012-2R2	2.2	±20	90 (75)	2.7	2.3
CSH 252012-3R3	3.3	±20	126 (105)	2.4	1.8
CSH 252012-4R7	4.7	±20	180 (150)	1.9	1.6
CSH 252012-5R6	5.6	±20	240 (200)	1.5	1.5
CSH 252012-6R8	6.8	±20	360 (300)	1.3	1.3
CSH 252012-100	10.0	±20	468 (390)	1.2	1.1

- Inductance is measured with a LCR meter 4294A(Agilent Technologies) or equivalent. (@1 MHz, 0.1Vrms)
- DC Resistance is measured with a Digital Multimeter 3541(Hioki) or equivalent.
- Maximum allowable DC current is that which caused a 30% inductance reduction from the initial value, coil temperature to rise by 40°C whichever is smaller. (Ambient temp. 20°C)

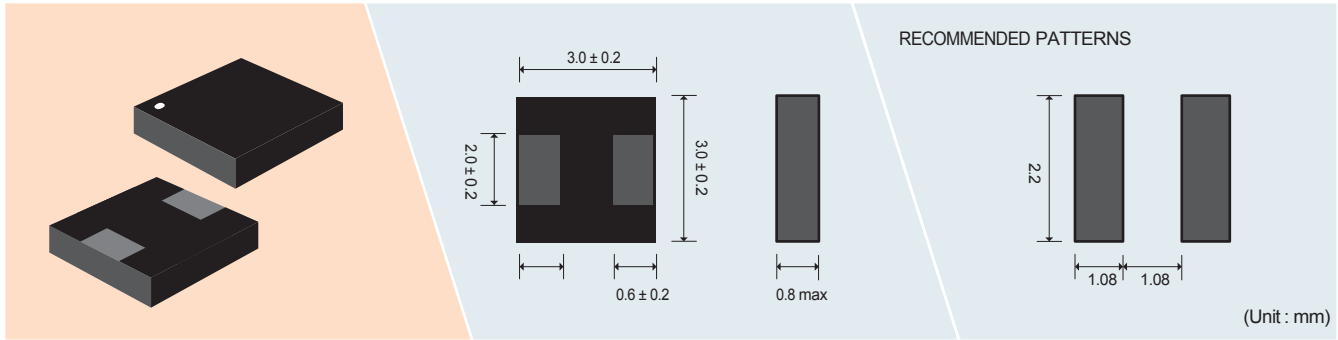
- 电感测量是使用 LCR 仪表 4294A (Agilent) 或同等仪器。(测试条件@100kHz 时, 0.1Vrms)
- 直流电阻测量用数字万用表 3541 (Hioki) 或同等仪器。
- 允许最大直流电流是指电感量降低 30% 时的电流。
- 允许温升电流是线圈温度升高 40°C (以较小者为准) 的电流值。(环境温度 20°C)

EXAMPLES OF CHARACTERISTICS 特性示图



CSH302808

SMD POWER INDUCTORS FOR SURFACE MOUNTING



FEATURES 特性

- Magnetic alloy power choke coil./金属磁粉芯功率电感
- Lowest profile./最小的产品高度
- Magnetic shielded./闭合磁路,良好的磁场屏蔽.
- Low acoustic noise and high efficiency./低噪声&高效率
- Halogen Free and RoHS compliant./产品符合 ROHS&无卤

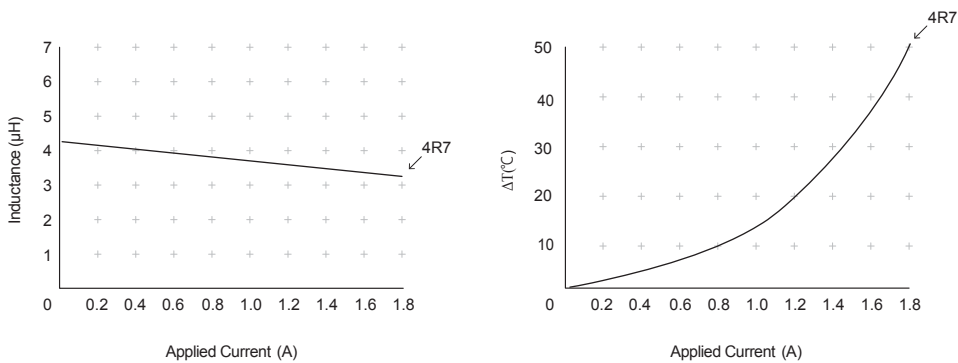
SPECIFICATION 规格

料号 Parts No.	电感量 (uH) Inductance (uH)	公差 (%) Tolerance (%)	直流电阻 DCR DC Resistance (mΩ) Max. (Typ.)	直流电流 (A) /Rated DC Current(A) Max. (Typ.)	
				ΔL/L=30%	ΔT=40°C
CSH302808-4R7	4.7	±20	312 (260)	1.7	1.4

- Inductance is measured with a LCR meter 4294A(Agilent Technologies) or equivalent. (@1 MHz, 0.1Vrms)
- DC Resistance is measured with a Digital Multimeter 3541(Hioki) or equivalent.
- Maximum allowable DC current is that which caused a 30% inductance reduction from the initial value, coil temperature to rise by 40°C whichever is smaller. (Ambient temp. 20°C)

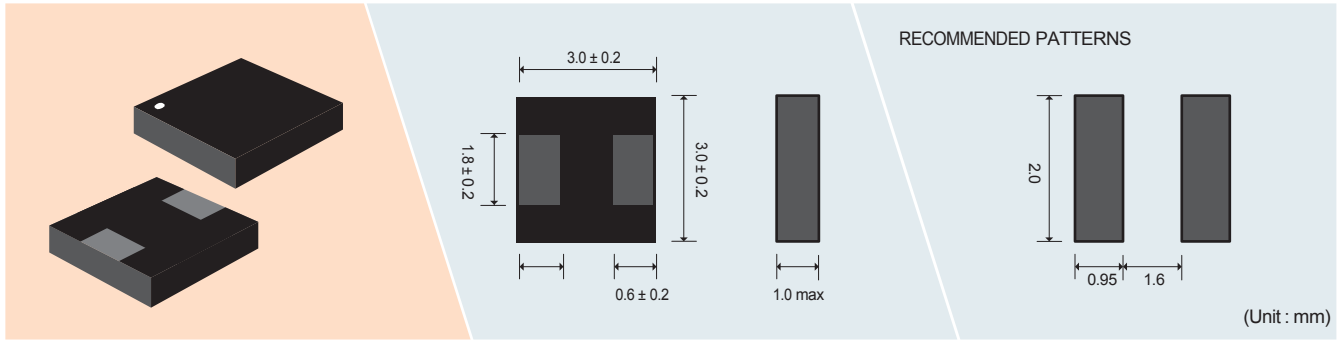
- 电感测量是使用 LCR 仪表 4294A (Agilent) 或同等仪器。(测试条件@100kHz 时, 0.1Vrms)
- 直流电阻测量用数字万用表 3541 (Hioki) 或同等仪器。
- 允许最大直流电流是指电感量降低 30% 时的电流。
- 允许温升电流是线圈温度升高 40°C (以较小者为准) 的电流值。(环境温度 20°C)

EXAMPLES OF CHARACTERISTICS 特性示图



CSH302810

SMD POWER INDUCTORS FOR SURFACE MOUNTING



FEATURES 特性

- Magnetic alloy power choke coil./金属磁粉芯功率电感
- Low profile./极低的产品高度
- Magnetic shielded./闭合磁路,良好的磁场屏蔽。
- Low acoustic noise and high efficiency./低噪声&高效率
- Halogen Free and RoHS compliant./产品符合 ROHS&无卤

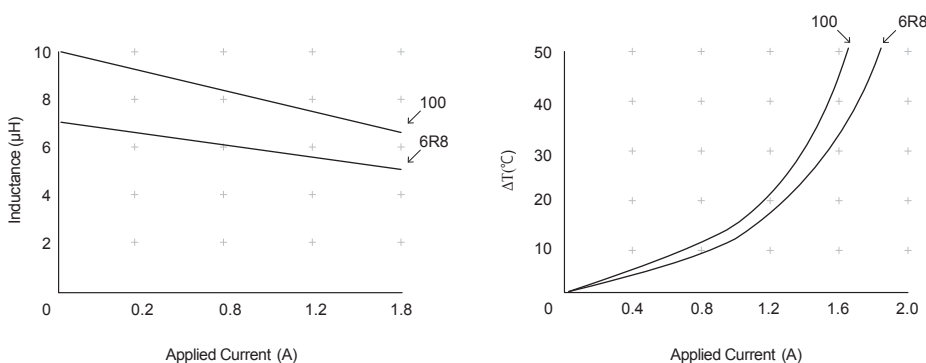
SPECIFICATION 规格

料号 Parts No.	电感量 (uH) Inductance (uH)	公差 (%) Tolerance (%)	直流电阻 DCR DC Resistance (mΩ) Max. (Typ.)	直流电流 (A) /Rated DC Current(A) Max. (Typ.)	
				ΔL/L=30%	ΔT=40°C
CSH 302810-6R8	6.8	±20	290 (242)	1.6	1.3
CSH 302810-100	10.0	±20	410 (342)	1.3	1.1

- Inductance is measured with a LCR meter 4294A(Agilent Technologies) or equivalent. (@1 MHz, 0.1Vrms)
- DC Resistance is measured with a Digital Multimeter 3541(Hioki) or equivalent.
- Maximum allowable DC current is that which caused a 30% inductance reduction from the initial value, coil temperature to rise by 40°C whichever is smaller. (Ambient temp. 20°C)

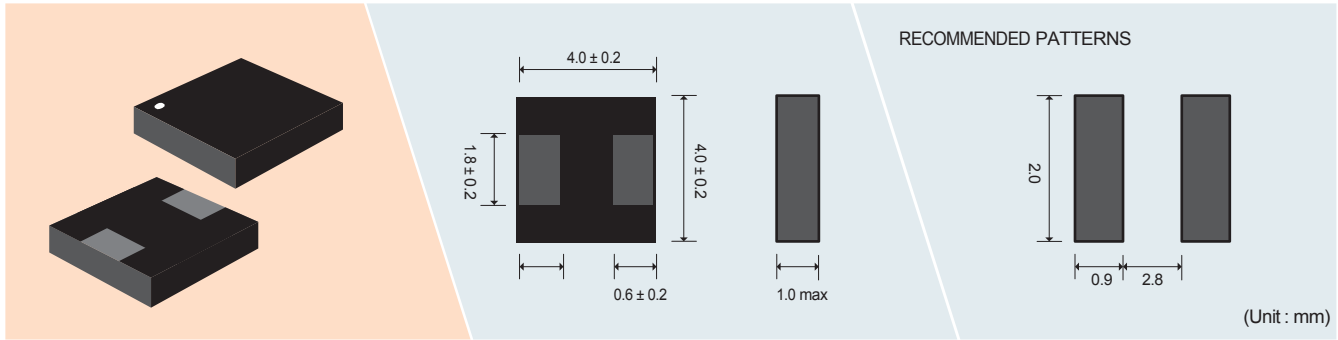
- 电感测量是使用 LCR 仪表 4294A (Agilent) 或同等仪器。(测试条件@100kHz 时, 0.1Vrms)
- 直流电阻测量用数字万用表 3541 (Hioki) 或同等仪器。
- 允许最大直流电流是指电感量降低 30% 时的电流。
- 允许温升电流是线圈温度升高 40°C (以较小者为准) 的电流值。(环境温度 20°C)

EXAMPLES OF CHARACTERISTICS 特性示图



CSH403810

SMD POWER INDUCTORS FOR SURFACE MOUNTING



FEATURES 特性

- Magnetic alloy power choke coil./金属磁粉芯功率电感
- Lowest profile./最小的产品高度
- Magnetic shielded./闭合磁路,良好的磁场屏蔽。
- Low acoustic noise and high efficiency./低噪声&高效率
- Halogen Free and RoHS compliant./产品符合 ROHS&无卤

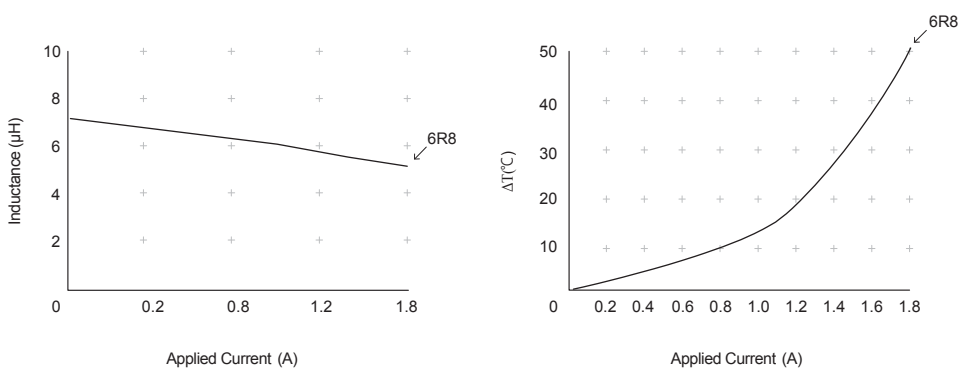
SPECIFICATION 规格

料号 Parts No.	电感量 (uH) Inductance (uH)	公差 (%) Tolerance (%)	直流电阻 DCR DC Resistance (mΩ) Max. (Typ.)	直流电流 (A) /Rated DC Current(A) Max. (Typ.)	
				ΔL/L=30%	ΔT=40°C
CSH 403810-6R8	6.8	±20	240 (200)	1.9	1.4

- Inductance is measured with a LCR meter 4294A(Agilent Technologies) or equivalent. (@1 MHz, 0.1Vrms)
- DC Resistance is measured with a Digital Multimeter 3541(Hioki) or equivalent.
- Maximum allowable DC current is that which caused a 30% inductance reduction from the initial value, coil temperature to rise by 40°C whichever is smaller. (Ambient temp. 20°C)

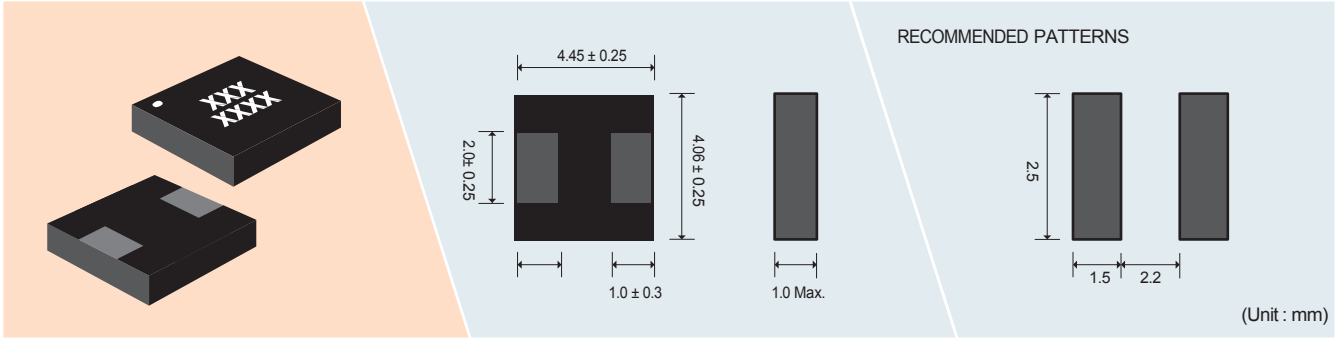
- 电感测量是使用 LCR 仪表 4294A (Agilent) 或同等仪器。(测试条件@100kHz 时, 0.1Vrms)
- 直流电阻测量用数字万用表 3541 (Hioki) 或同等仪器。
- 允许最大直流电流是指电感量降低 30% 时的电流。
- 允许温升电流是线圈温度升高 40°C (以较小者为准) 的电流值。(环境温度 20°C)

EXAMPLES OF CHARACTERISTICS 特性示图



CSH454310

SMD POWER INDUCTORS FOR SURFACE MOUNTING



FEATURES 特性

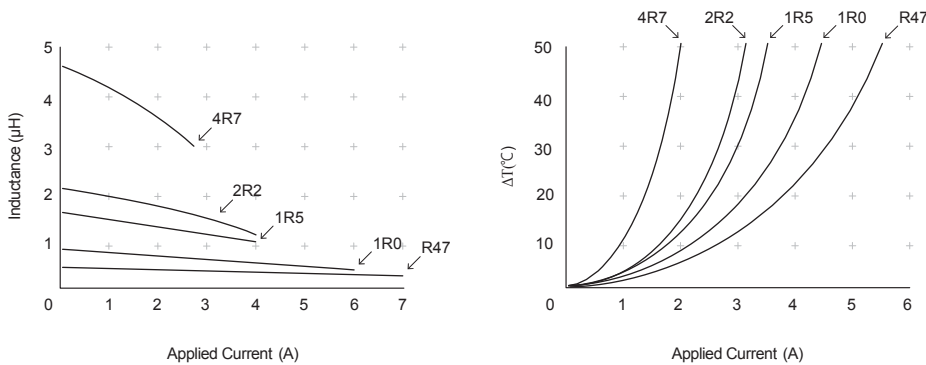
- Magnetic alloy power choke coil./ 金属磁粉芯功率电感
- Lowest profile./ 最小的产品高度
- Magnetic shielded./ 闭合磁路,良好的磁场屏蔽.
- Low acoustic noise and high efficiency./ 低噪声&高效率
- Halogen Free and RoHS compliant./ 产品符合 ROHS&无卤

SPECIFICATION 规格

料号 Parts No.	电感量 (uH) Inductance (uH)	公差 (%) Tolerance (%)	直流电阻 DCR DC Resistance (mΩ) Max. (Typ.)	直流电流 (A) /Rated DC Current(A) Max. (Typ.)	
				ΔL/L=20%	ΔT=40°C
CSH 454310-R47	0.47	±20	34 (29)	4.2	4.6
CSH 454310-1R0	1.0	±20	50 (42)	3.2	4.0
CSH 454310-1R2	1.2	±20	59 (49)	2.6	3.6
CSH 454310-1R5	1.5	±20	79 (66)	2.5	3.4
CSH 454310-1R8	1.8	±20	90 (75)	2.4	2.8
CSH 454310-2R2	2.2	±15	125 (104)	2.0	2.6
CSH 454310-3R3	3.3	±15	198 (165)	1.8	2.2
CSH 454310-4R7	4.7	±15	262 (218)	1.4	1.6

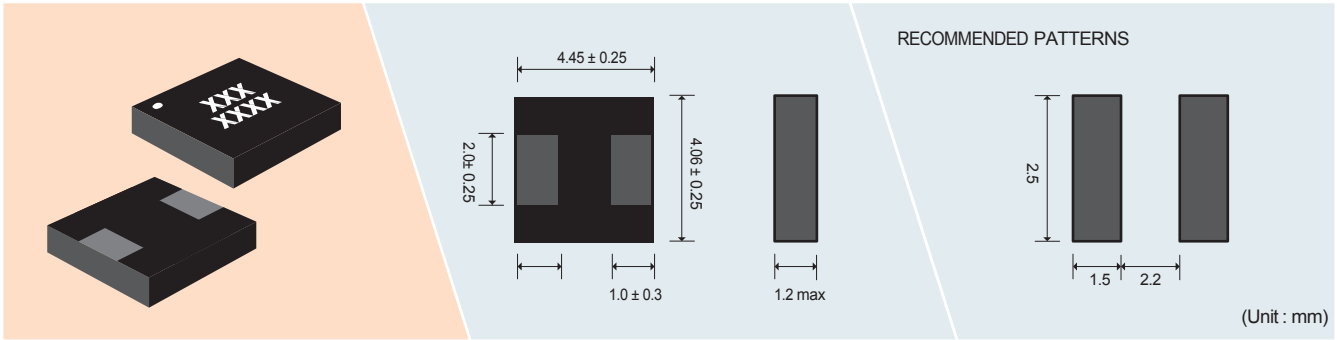
- Inductance is measured with a LCR meter 4294A(Agilent Technologies) or equivalent. (@100kHz, 0.1Vrms)
- DC Resistance is measured with a Digital Multimeter 3541(Hioki) or equivalent.
- Maximum allowable DC current is that which caused a 20% inductance reduction from the initial value, coil temperature to rise by 40°C whichever is smaller. (Ambient temp. 20°C)
- 电感测量是使用 LCR 仪表 4294A (Agilent) 或同等仪器。(测试条件@100kHz 时, 0.1Vrms)
- 直流电阻测量用数字万用表 3541 (Hioki) 或同等仪器。
- 允许最大直流电流是指电感量降低 30% 时的电流。
- 允许温升电流是线圈温度升高 40°C (以较小者为准) 的电流值。(环境温度 20°C)

EXAMPLES OF CHARACTERISTICS 特性示图



CSH454312

SMD POWER INDUCTORS FOR SURFACE MOUNTING



FEATURES 特性

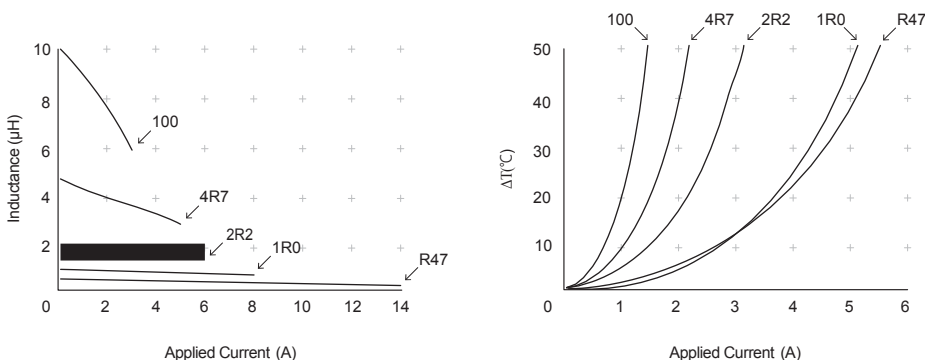
- Magnetic alloy power choke coil./金属磁粉芯功率电感
- Low profile./极低的产品高度
- Magnetic shielded./闭合磁路,良好的磁场屏蔽.
- Low acoustic noise and high efficiency./低噪声&高效率
- Halogen Free and RoHS compliant./产品符合 ROHS&无卤

SPECIFICATION 规格

料号 Parts No.	电感量 (μH) Inductance (μH)	公差 (%) Tolerance (%)	直流电阻 DCR DC Resistance (mΩ) Max. (Typ.)	直流电流 (A) /Rated DC Current(A) Max. (Typ.)	
				ΔL/L=20%	ΔT=40°C
CSH 454312-R47	0.47	±20	23 (19)	8.2	5.4
CSH 454312-1R0	1.0	±20	48 (40)	5.3	4.5
CSH 454312-1R5	1.5	±20	72 (60)	4.4	3.3
CSH 454312-2R2	2.2	±15	95 (79)	3.6	2.8
CSH 454312-3R3	3.3	±15	138 (115)	3.3	2.3
CSH 454312-4R7	4.7	±15	192 (160)	2.7	1.9
CSH 454312-6R8	6.8	±15	288 (240)	2.3	1.6
CSH 454312-100	10.0	±15	444 (370)	1.6	1.3

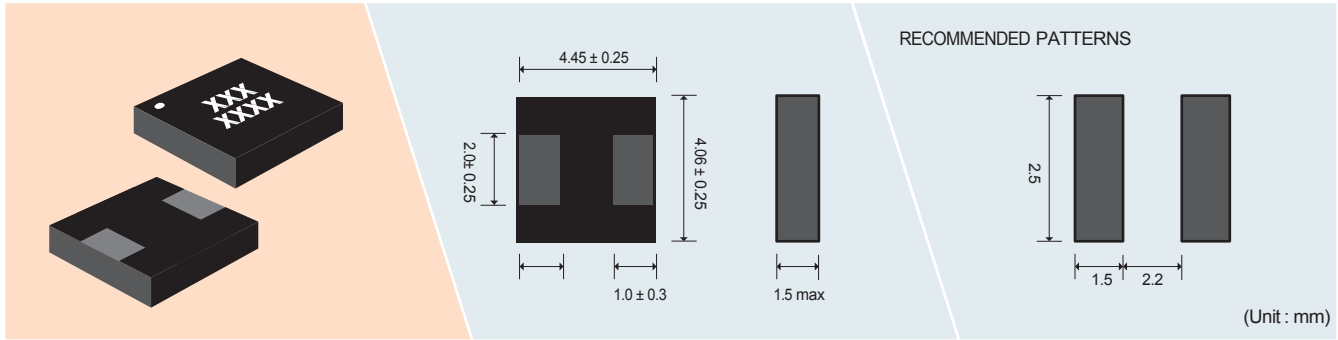
- Inductance is measured with a LCR meter 4294A(Agilent Technologies) or equivalent. (@100kHz, 0.1Vrms)
- DC Resistance is measured with a Digital Multimeter 3541(Hioki) or equivalent.
- Maximum allowable DC current is that which caused a 20% inductance reduction from the initial value, coil temperature to rise by 40°C whichever is smaller. (Ambient temp. 20°C)
- 电感测量是使用 LCR 仪表 4294A (Agilent) 或同等仪器。(测试条件@100kHz 时, 0.1Vrms)
- 直流电阻测量用数字万用表 3541 (Hioki) 或同等仪器。
- 允许最大直流电流是指电感量降低 30% 时的电流。
- 允许温升电流是线圈温度升高 40°C (以较小者为准) 的电流值。(环境温度 20°C)

EXAMPLES OF CHARACTERISTICS 特性示图



CSH454315

SMD POWER INDUCTORS FOR SURFACE MOUNTING



FEATURES 特性

- Magnetic alloy power choke coil./金属磁粉芯功率电感
- Low profile./ 极低的产品高度
- Magnetic shielded./ 闭合磁路,良好的磁场屏蔽。
- Low acoustic noise and high efficiency./ 低噪声&高效率
- Halogen Free and RoHS compliant./产品符合 ROHS&无卤

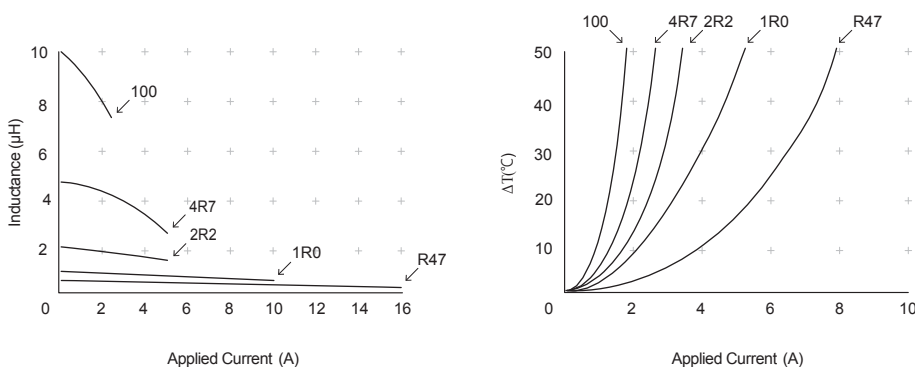
SPECIFICATION 规格

料号 Parts No.	电感量 (μH) Inductance (μH)	公差 (%) Tolerance (%)	直流电阻 DCR DC Resistance (mΩ) Max. (Typ.)	直流电流 (A) /Rated DC Current(A) Max. (Typ.)	
				ΔL/L=30%	ΔT=40°C
CSH 454315-R47	0.47	±20	16 (13)	12.2	6.4
CSH 454315-1R0	1.0	±20	30 (25)	8.5	4.6
CSH 454315-1R5	1.5	±20	44 (37)	7.4	3.8
CSH 454315-2R2	2.2	±15	70 (58)	5.7	3.2
CSH 454315-3R3	3.3	±15	91 (76)	5.0	2.6
CSH 454315-4R7	4.7	±15	126 (105)	4.0	2.2
CSH 454315-6R8	6.8	±15	190 (158)	3.1	1.6
CSH 454315-100	10.0	±15	288 (240)	2.9	1.4

- Inductance is measured with a LCR meter 4294A(Agilent Technologies) or equivalent. (@100kHz, 0.1Vrms)
- DC Resistance is measured with a Digital Multimeter 3541(Hioki) or equivalent.
- Maximum allowable DC current is that which caused a 30% inductance reduction from the initial value, coil temperature to rise by 40°C whichever is smaller. (Ambient temp. 20°C)

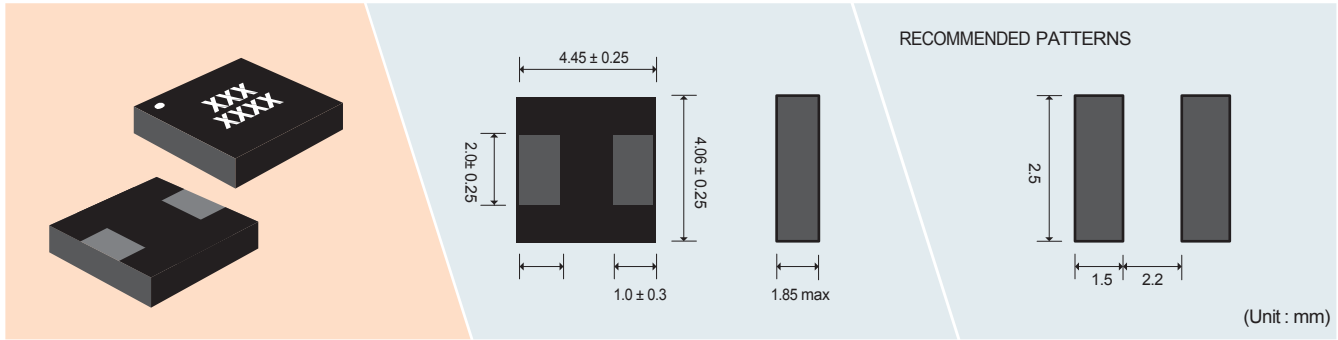
- 电感测量是使用 LCR 仪表 4294A (Agilent) 或同等仪器。(测试条件@100kHz 时, 0.1Vrms)
- 直流电阻测量用数字万用表 3541 (Hioki) 或同等仪器。
- 允许最大直流电流是指电感量降低 30% 时的电流。
- 允许温升电流是线圈温度升高 40°C (以较小者为准) 的电流值。(环境温度 20°C)

EXAMPLES OF CHARACTERISTICS 特性示图



CSH454318

SMD POWER INDUCTORS FOR SURFACE MOUNTING



FEATURES 特性

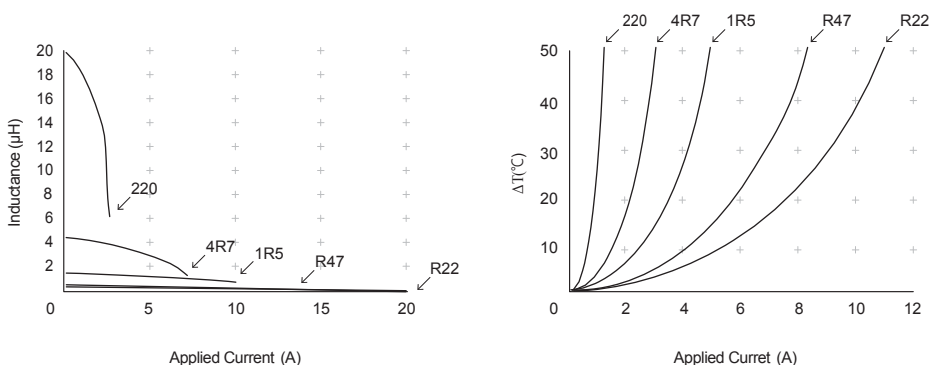
- Magnetic alloy power choke coil./金属磁粉芯功率电感
- Low profile./极低的产品高度
- Magnetic shielded./闭合磁路,良好的磁场屏蔽.
- Low acoustic noise and high efficiency./低噪声&高效率
- Halogen Free and RoHS compliant./产品符合 ROHS&无卤

SPECIFICATION 规格

料号 Parts No.	电感量 (uH) Inductance (uH)	公差 (%) Tolerance (%)	直流电阻 DCR DC Resistance (mΩ) Max. (Typ.)	直流电流 (A) /Rated DC Current(A) Max. (Typ.)	
				ΔL/L=30%	ΔT=40°C
CSH 454318-R22	0.22	±20	7.0 (5.8)	20	8.0
CSH 454318-R47	0.47	±20	12.4 (10.3)	17	5.8
CSH 454318-1R2	1.2	±20	38.4 (32)	9.4	4.0
CSH 454318-1R5	1.5	±20	43.2 (36)	8.2	3.8
CSH 454318-2R2	2.2	±15	57.6 (48)	7.9	3.4
CSH 454318-3R3	3.3	±15	72 (60)	6.6	3.0
CSH 454318-4R7	4.7	±15	110.4 (92)	4.8	2.3
CSH 454318-6R8	6.8	±15	144 (120)	4.5	2.0
CSH 454318-100	10.0	±15	255.6 (213)	3.8	1.5
CSH 454318-150	15.0	±15	342 (285)	3.0	1.3
CSH 454318-220	22.0	±15	489.6 (408)	2.2	1.1

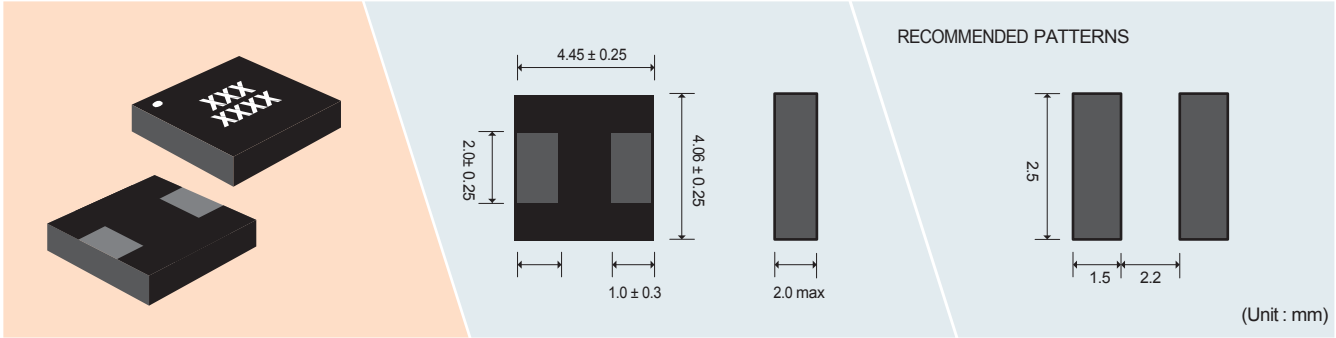
- Inductance is measured with a LCR meter 4294A(Agilent Technologies) or equivalent. (@100kHz, 0.1Vrms)
- DC Resistance is measured with a Digital Multimeter 3541(Hioki) or equivalent.
- Maximum allowable DC current is that which caused a 30% inductance reduction from the initial value, coil temperature to rise by 40°C whichever is smaller. (Ambient temp. 20°C)
- 电感测量是使用 LCR 仪表 4294A (Agilent) 或同等仪器。(测试条件@100kHz 时, 0.1Vrms)
- 直流电阻测量用数字万用表 3541 (Hioki) 或同等仪器。
- 允许最大直流电流是指电感量降低 30%时的电流. 允许温升电流是线圈温度升高 40°C (以较小者为准) 的电流值。(环境温度 20°C)

EXAMPLES OF CHARACTERISTICS 特性示图



CSH454320

SMD POWER INDUCTORS FOR SURFACE MOUNTING



FEATURES 特性

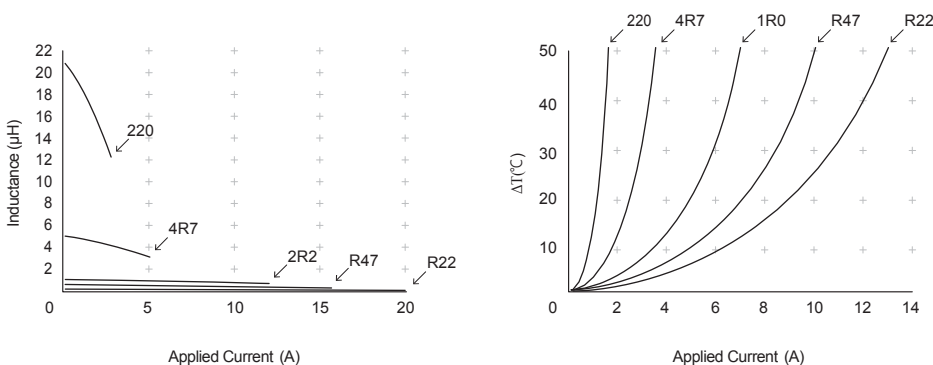
- Magnetic alloy power choke coil./金属磁粉芯功率电感
- Low profile./极低的产品高度
- Magnetic shielded./闭合磁路,良好的磁场屏蔽。
- Low acoustic noise and high efficiency./低噪声&高效率
- Halogen Free and RoHS compliant./产品符合 ROHS&无卤

SPECIFICATION 规格

料号 Parts No.	电感量 (uH) Inductance (uH)	公差 (%) Tolerance (%)	直流电阻 DCR	直流电流 (A) /Rated DC Current(A) Max. (Typ.)	
			DC Resistance (mΩ) Max. (Typ.)	$\Delta L/L=20\%$	$\Delta T=40^{\circ}\text{C}$
CSH 454320-R22	0.22	±20	6.4 (5.3)	15.0	10.1
CSH 454320-R33	0.33	±20	7.2 (6.0)	12.6	8.9
CSH 454320-R47	0.47	±20	9.8 (8.2)	11.0	8.1
CSH 454320-1R0	1.2	±20	20.4 (17)	6.8	5.5
CSH 454320-1R5	1.5	±20	27.6 (23)	5.8	4.9
CSH 454320-2R2	2.2	±15	42 (35)	4.5	3.9
CSH 454320-3R3	3.3	±15	58.8 (49)	4.1	3.3
CSH 454320-4R7	4.7	±15	80.4 (67)	3.4	2.9
CSH 454320-6R8	6.8	±15	109.2 (91)	2.8	2.4
CSH 454320-100	10.0	±15	177.6 (148)	2.3	1.9
CSH 454320-220	22.0	±15	379.2 (316)	1.6	1.3

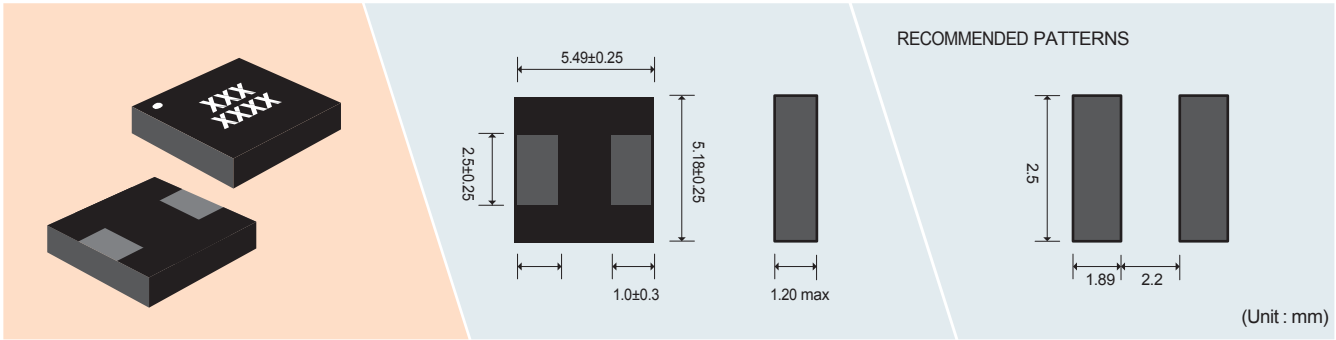
- Inductance is measured with a LCR meter 4294A(Agilent Technologies) or equivalent. (@100kHz, 0.1Vrms)
- DC Resistance is measured with a Digital Multimeter 3541(Hioki) or equivalent.
- Maximum allowable DC current is that which caused a 20% inductance reduction from the initial value, coil temperature to rise by 40°C whichever is smaller. (Ambient temp. 20°C)
- 电感测量是使用 LCR 仪表 4294A (Agilent) 或同等仪器。(测试条件@100kHz 时, 0.1Vrms)
- 直流电阻测量用数字万用表 3541 (Hioki) 或同等仪器。
- 允许最大直流电流是指电感量降低 30%时的电流. 允许温升电流是线圈温度升高 40°C (以较小者为准) 的电流值。(环境温度 20°C)

EXAMPLES OF CHARACTERISTICS 特性示图



CSH545112

SMD POWER INDUCTORS FOR SURFACE MOUNTING



FEATURES 特性

- Magnetic alloy power choke coil./金属磁粉芯功率电感
- Low profile./极低的产品高度
- Magnetic shielded./闭合磁路,良好的磁场屏蔽。
- Low acoustic noise and high efficiency./低噪声&高效率
- Halogen Free and RoHS compliant./产品符合 ROHS&无卤

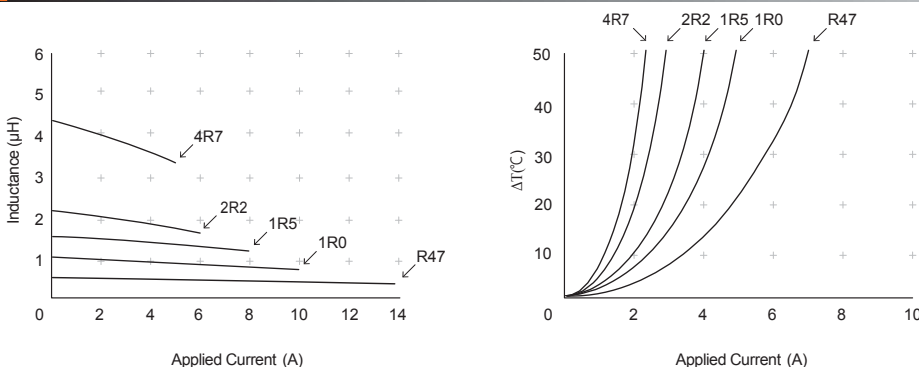
SPECIFICATION 规格

料号 Parts No.	电感量 (μH) Inductance (μH)	公差 (%) Tolerance (%)	直流电阻 DCR DC Resistance (mΩ) Max. (Typ.)	直流电流 (A) /Rated DC Current(A) Max. (Typ.)	
				ΔL/L=20%	ΔT=40°C
CSH 545112-R33	0.33	±20	15.6 (13)	11.5	6.5
CSH 545112-R47	0.47	±20	21.6 (18)	10.9	6.1
CSH 545112-1R0	1.0	±20	36 (30)	7.2	4.2
CSH 545112-1R5	1.5	±20	58 (48)	6.1	3.4
CSH 545112-2R2	2.2	±15	84 (70)	4.8	2.6
CSH 545112-3R3	3.3	±15	114 (95)	3.8	2.3
CSH 545112-4R7	4.7	±15	144 (120)	3.5	2.1
CSH 545112-6R8	6.8	±15	210 (175)	2.8	1.7
CSH 545112-100	10.0	±15	348 (290)	2.5	1.3
CSH 545112-150	15.0	±15	480 (400)	2.2	1.1

- Inductance is measured with a LCR meter 4294A(Agilent Technologies) or equivalent. (@100kHz, 0.1Vrms)
- DC Resistance is measured with a Digital Multimeter 3541(Hioki) or equivalent.
- Maximum allowable DC current is that which caused a 20% inductance reduction from the initial value, coil temperature to rise by 40°C whichever is smaller. (Ambient temp. 20°C)

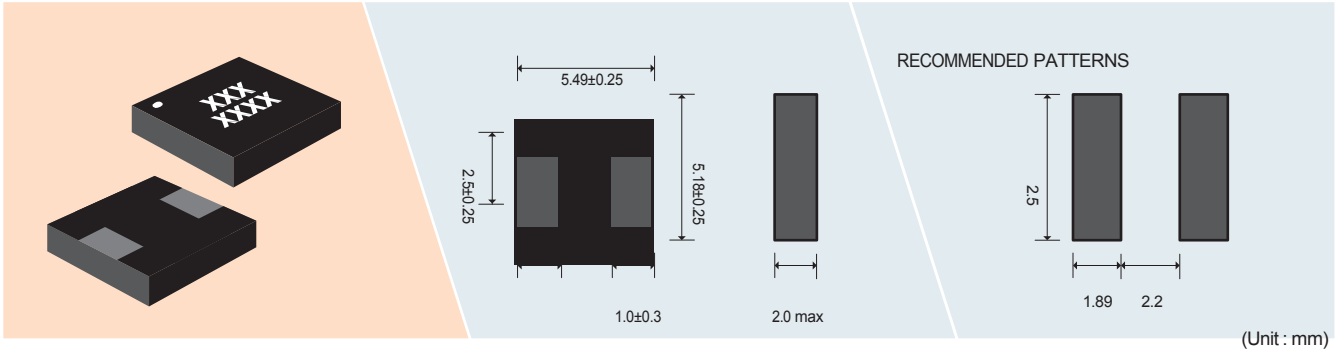
- 电感测量是使用 LCR 仪表 4294A (Agilent) 或同等仪器。(测试条件@100kHz 时, 0.1Vrms)
- 直流电阻测量用数字万用表 3541 (Hioki) 或同等仪器。
- 允许最大直流电流是指电感量降低 30%时的电流。
- 允许升温电流是线圈温度升高 40°C (以较小者为准) 的电流值。(环境温度 20°C)

EXAMPLES OF CHARACTERISTICS 特性示图



CSH545120

SMD POWER INDUCTORS FOR SURFACE MOUNTING



(Unit : mm)

FEATURES 特性

- Magnetic alloy power choke coil./金属磁粉芯功率电感
- Low profile./极低的产品高度
- Magnetic shielded./闭合磁路,良好的磁场屏蔽.
- Low acoustic noise and high efficiency./低噪声&高效率
- Halogen Free and RoHS compliant./产品符合 ROHS&无卤

SPECIFICATION 规格

料号 Parts No.	电感量 (uH) Inductance (uH)	公差 (%) Tolerance (%)	直流电阻 DCR DC Resistance (mΩ) Max. (Typ.)	直流电流 (A) /Rated DC Current(A) Max. (Typ.)	
				ΔL/L=20%	ΔT=40°C
CSH 545120-R33	0.33	±20	9.6 (8)	14.0	7.9
CSH 545120-R47	0.47	±20	12 (10)	11.0	7.6
CSH 545120-R68	0.68	±20	16 (13)	10.0	6.6
CSH 545120-1R0	1.0	±20	21 (17)	8.0	5.9
CSH 545120-1R5	1.5	±20	29 (24)	6.8	4.8
CSH 545120-2R2	2.2	±15	36 (30)	6.0	4.1
CSH 545120-3R3	3.3	±15	60 (50)	4.9	3.6
CSH 545120-4R7	4.7	±15	78 (65)	4.4	2.8
CSH 545120-5R6	5.6	±15	90 (75)	4.2	2.6
CSH 545120-6R8	6.8	±15	102 (85)	4.0	2.4
CSH 545120-100	10.0	±15	162 (135)	3.0	1.9
CSH 545120-150	15.0	±15	222 (185)	2.5	1.7

- Inductance is measured with a LCR meter 4294A(Agilent Technologies) or equivalent. (@100kHz, 0.1Vrms)
- DC Resistance is measured with a Digital Multimeter 3541(Hioki) or equivalent.
- Maximum allowable DC current is that which caused a 20% inductance reduction from the initial value, coil temperature to rise by 40°C whichever is smaller. (Ambient temp. 20°C)
- 电感测量是使用 LCR 仪表 4294A (Agilent) 或同等仪器。(测试条件@100kHz 时, 0.1Vrms)
- 直流电阻测量用数字万用表 3541 (Hioki) 或同等仪器。
- 允许最大直流电流是指电感量降低 30%时的电流. 允许温升电流是线圈温度升高 40°C (以较小者为准) 的电流值。(环境温度 20°C)

EXAMPLES OF CHARACTERISTICS 特性示图

